

# Heavy-Duty Box Spanner

**Design: metric, offset.**

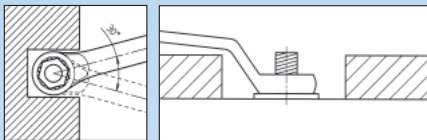
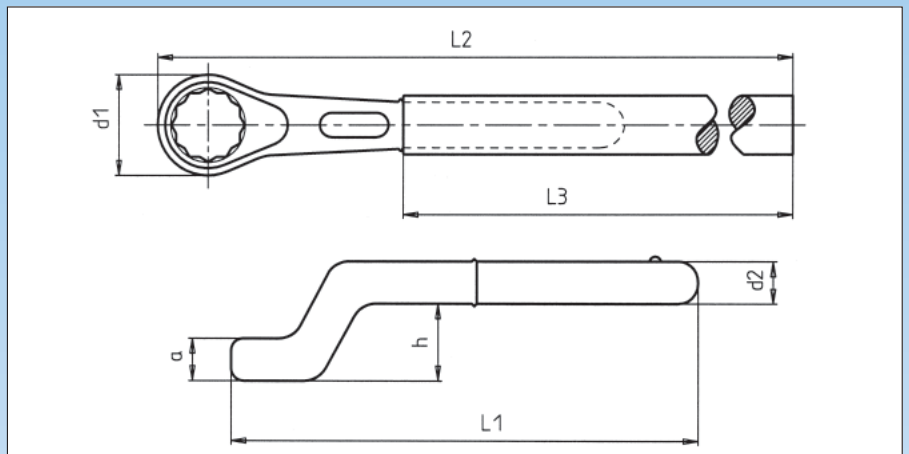
Drive: bihexagonal.

Material: chrome vanadium steel.

Surface: chrome-plated.

Geometry: offset on ring end.

Applications: powerful execution. The great resistance of the ring head and the length of the push-on pipe (please order separately) make this spanner suitable for the heaviest work.



## Push-On Pipes

| L <sub>3</sub><br>in mm | Dia. d <sub>2</sub><br>in mm | Art. No.           |
|-------------------------|------------------------------|--------------------|
| 460                     | 19                           | <b>0715 28 101</b> |
| 610                     | 22                           | <b>0715 28 102</b> |
| 760                     | 25                           | <b>0715 28 103</b> |
| 860                     | 30                           | <b>0715 28 104</b> |

| in mm | L <sub>1</sub><br>in mm | Dia. d <sub>1</sub><br>in mm | a<br>in mm | h<br>in mm | L <sub>2</sub><br>in mm | Art. No.          |   |
|-------|-------------------------|------------------------------|------------|------------|-------------------------|-------------------|---|
| 24    | 180                     | 38                           | 17         | 30         | 555                     | <b>0715 28 24</b> | 1 |
| 27    | 190                     | 41                           | 17         | 32         | 560                     | <b>0715 28 27</b> |   |
| 30    | 200                     | 48                           | 18         | 34         | 565                     | <b>0715 28 30</b> |   |
| 32    | 235                     | 49                           | 18         | 34         | 730                     | <b>0715 28 32</b> |   |
| 36    | 245                     | 55                           | 20         | 36         | 735                     | <b>0715 28 36</b> |   |
| 38    | 250                     | 56                           | 21         | 38         | 740                     | <b>0715 28 38</b> |   |
| 41    | 265                     | 62                           | 22         | 40         | 745                     | <b>0715 28 41</b> |   |
| 46    | 280                     | 69                           | 23         | 40         | 910                     | <b>0715 28 46</b> |   |
| 50    | 290                     | 76                           | 26         | 43         | 920                     | <b>0715 28 50</b> |   |
| 55    | 300                     | 81                           | 28         | 46         | 925                     | <b>0715 28 55</b> |   |
| 60    | 345                     | 90                           | 31         | 49         | 1050                    | <b>0715 28 60</b> |   |
| 65    | 355                     | 98                           | 33         | 53         | 1060                    | <b>0715 28 65</b> |   |

Design: with detent lock.

Material: steel pipe of hard ST 35.

Surface: chrome-plated.

Applications: cargo, construction machines, plant workshops, shipyards, heavy industry, mining, railways.