

AIR CONDITIONING DISINFECTANT SPRAY



Special cleaner for cleaning and disinfecting vehicle air conditioning systems

Disinfects, cleans, protects

- Reliably combats germs, bacteria and fungi
- Effectively stops unpleasant odours
- Prevents allergic reactions that can be triggered by bacteria and other micro-organisms

Direct application on the air conditioning system's evaporator through an extra-long hose with a special nozzle

- Achieves a long-lasting effect by disinfecting and cleaning at the "place of origin"
- Penetrates even thicker, greasy layers of dirt thanks to thorough spray cleaning

Effectiveness tested* by an external institute

- Proven killing of germs
- 100% of germs killed after just 5 minutes soaking time

AOX-free

- Reduces soil and water pollution and prevents violations of the local waste water regulations

* The effectiveness of the disinfection was examined in accordance with the guidelines of the DGHM (German Association for Hygiene and Microbiology) for testing and evaluating chemical disinfection procedures.

Drum	Contents	Art. No.	P. Qty.
Disinfectant spray with spray hose*	300 ml	0893 764 10	6
Replacement spray hose	-	0891 764 12	1

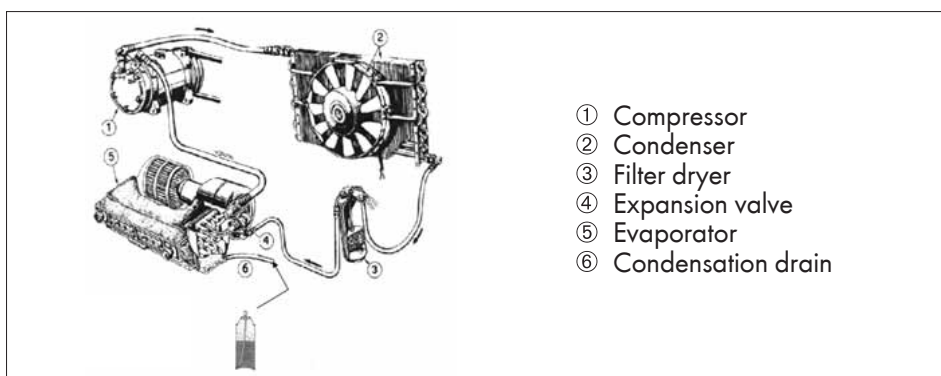
* approx. 80 cm long PE hose, with specially developed nozzle. Every can is fitted with a spray hose.

Application:

- Switch off the air conditioning system and the ventilation.
- Insert the spray probe into the condensation drain (see Fig.)
- Spray out half of the can contents (approx. 30 s) (the can contains enough for 2 applications)
- Removed dirt runs off via the drain without any problem
- Allow to take effect for at least 10 minutes before putting the air conditioning system into operation

Recommendation:

We recommend cleaning the air conditioning system at least once annually (evaporator, air conditioning ducts etc.).



This information is only a recommendation, since it is based on our experience. Preliminary testing required to determine material compatibility. When using, observe both the technical data sheet and the information provided in the relevant regulations.