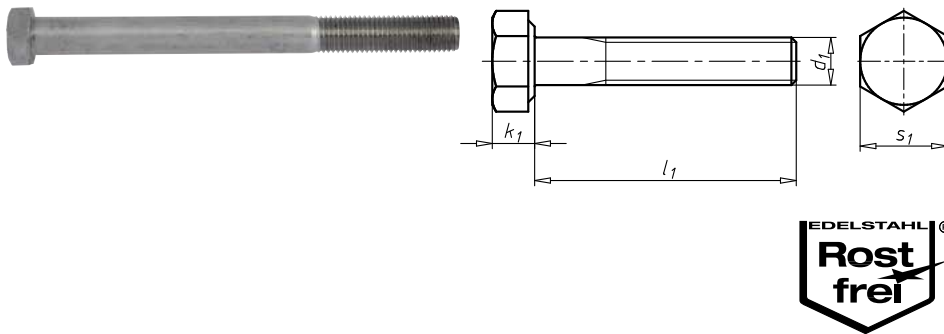


HEXAGONAL BOLT WITH SHANK



ISO 4014 stainless steel A2-50 and A2-70, plain

Notice

ISO 4014 replaces DIN 931 | There is some compatibility | Nominal size extended | Widths across flats for M10, M12, M14 and M22 changed. A2-70 strength up to and including nominal size M24 | above nominal size M27 strength A2-50

Norms	ISO 4014
Material	Stainless steel A2
Surface	Bare
RoHS-compliant	Yes
Head type	Hexagon head
Drive type	Outer hexagon
Thread type	Metric thread
Thread format	Standard metric thread
Thread design	Partial thread

Thread type x nominal diameter (d ₁)	Length (l ₁)	Head height (k ₁)	External drive (s ₁)	Property class	Product class	Art. No.	P. Qty.
M5	25 mm	3.5 mm	WS8	70	A	0095 5 25	500
M5	30 mm	3.5 mm	WS8	70	A	0095 5 30	500
M5	35 mm	3.5 mm	WS8	70	A	0095 5 35	500
M5	40 mm	3.5 mm	WS8	70	A	0095 5 40	100
M5	45 mm	3.5 mm	WS8	70	A	0095 5 45	100
M5	50 mm	3.5 mm	WS8	70	A	0095 5 50	200
M5	55 mm	3.5 mm	WS8	70	B	0095 5 55	100
M5	60 mm	3.5 mm	WS8	70	B	0095 5 60	200
M5	65 mm	3.5 mm	WS8	70	B	0095 5 65	100
M5	70 mm	3.5 mm	WS8	70	B	0095 5 70	100
M5	80 mm	3.5 mm	WS8	70	B	0095 5 80	100
M5	90 mm	3.5 mm	WS8	70	B	0095 5 90	100
M5	100 mm	3.5 mm	WS8	70	B	0095 5 100	100
M5	110 mm	3.5 mm	WS8	70	B	0095 5 110	10