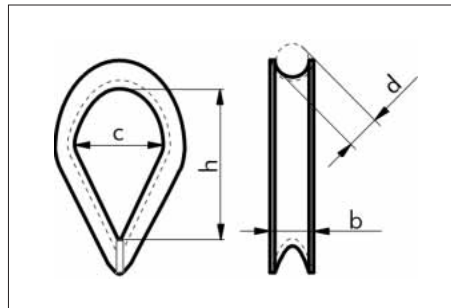


CABLE EYES

DIN 6899, A, light version

Galvanized steel, blue passivated



Largest wire/ cable dia. d in mm	b in mm	h in mm	c in mm	Art. No.	P. Qty.
3.5	5.5	19	12	0522 35	25/50
4.0	6.5	21	13	0522 4	25/50
5.0	6.5	23	14	0522 5	25/50
6.0	7.5	25	16	0522 6	25/50
7.0	8.5	28	18	0522 7	25
8.0	10	32	20	0522 8	25/50
9.0	10	35	22	0522 9	50
10.0	12.5	38	24	0522 10	1/25

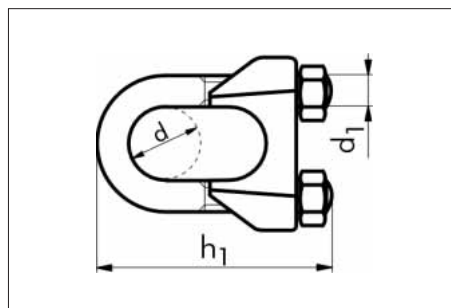
Largest wire/ cable dia. d in mm	b in mm	h in mm	c in mm	Art. No.	P. Qty.
11.0	13	42	26	0522 11	1/25
12.0	15	45	28	0522 12	1/25
13.0	16	48	30	0522 13	1/25
15.0	18.5	52	34	0522 15	1
16.0	20	58	36	0522 16	1
18.0	22	64	40	0522 18	1
20.0	24.5	72	45	0522 20	1

Storable in [®]ORSY

CABLE CLIPS

DIN 741

Galvanized steel, blue passivated



Application:

Mount the cable clips close to the cable eye stiffener, and with round cable eye stiffeners at a distance of at least 2x the diameter of the cable eye stiffener. Mount far enough apart that a clear space of at least one cable thickness remains between the parts. The clamping bars must always be laid on the unloaded cable end.

Largest cable dia.		d ₁ in mm	h ₁ in mm	Art. No.	P. Qty.
Inch	d in mm				
1/8	3.0	M 4	20	0520 18	50/100
3/16	5.0	M 5	24	0520 316	50/100
1/4	6.5	M 5	28	0520 14	50/100
5/16	8.5	M 6	34	0520 516	50/100

Storable in [®]ORSY

Largest cable dia.		d ₁ in mm	h ₁ in mm	Art.-No.	P. Qty.
Inch	d in mm				
3/8	10,0	M 8	42	0520 38	25
7/16	11,0	M 8	42	0520 716	25
1/2	13,0	M 10	55	0520 12	10/25
5/8	16,0	M 12	63	0520 58	10