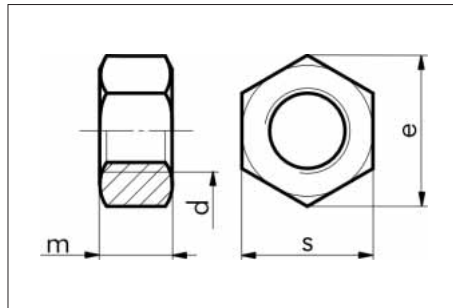


HEXAGON NUT



DIN 934 left-handed thread

Nuts with limited load-bearing capacity

Hexagon nuts in accordance with this withdrawn DIN 934 with a lower nominal height cannot be loaded with the test forces in accordance with DIN EN ISO 20898-2.

Thread dia. d	e	in m	s	Steel I81, bare Art. No.	P. Qty.
M6	11.05	5	10	0312 000 6	500
M8	14.38	6.5	13	0312 000 8	100
M10	18.9	8	17	0312 000 10	
M12	21.1	10	19	0312 000 12	
M16	26.75	13	24	0312 000 16	
M20	32.95	16	30	0312 000 20	25
M24	39.55	19	36	0312 000 24	5
M30	50.85	24	46	0312 000 30	

For differentiation, the marking of the strength class is supplemented with two vertical bars before and after the characteristic strength number.

DIN 934 was superseded by ISO 4032.

Hexagon bolts of strength class 8.8 should be paired with nuts of strength class 8 or higher.

Thread dia. d	e	in m	s	Galvanized steel I81, blue passivated (A2K) Art. No.	P. Qty.
M5	8.79	4	8	0317 111 5	500
M6	11.05	5	10	0317 111 6	
M8	14.38	6.5	13	0317 111 8	100
M10	18.9	8	17	0317 111 10	
M12	21.1	10	19	0317 111 12	
M16	26.75	13	24	0317 111 16	
M20	32.95	16	30	0317 111 20	25
M24	39.55	19	36	0317 111 24	
M30	50.85	24	46	0317 111 30	5

Steel I81, bare

Galvanized steel I81, blue passivated (A2K)