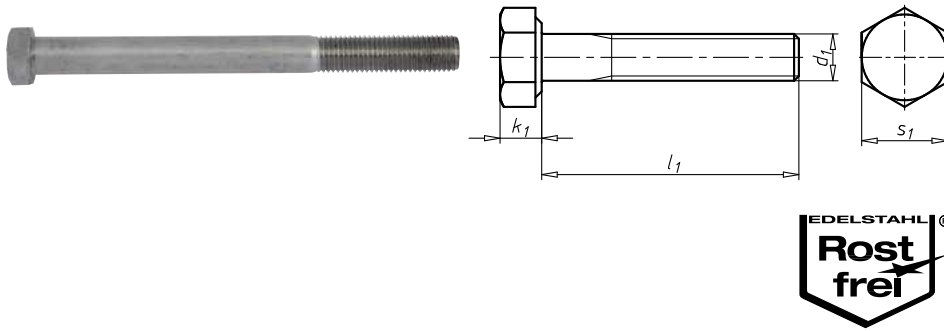


HEXAGONAL BOLT WITH SHANK



ISO 4014 stainless steel A4-50 and A4-70, plain

Notice

ISO 4014 replaces DIN 931 | There is some compatibility | Nominal size extended | Widths across flats for M10, M12, M14 and M22 changed. Strength A4-70 up to and including nominal size M24 | From nominal size M27 strength A4-50

Norms	ISO 4014
Material	Stainless steel A4
Surface	Bare
RoHS-compliant	Yes
Head type	Hexagon head
Drive type	Outer hexagon
Thread type	Metric thread
Thread format	Standard metric thread
Thread design	Partial thread

Thread type x nominal diameter (d ₁)	Length (l ₁)	Head height (k ₁)	External drive (s ₁)	Property class	Product class	Art. No.	P. Qty.
M5	30 mm	3.5 mm	WS8	70	A	0090 5 30	100
M5	35 mm	3.5 mm	WS8	70	A	0090 5 35	100
M5	40 mm	3.5 mm	WS8	70	A	0090 5 40	100
M5	45 mm	3.5 mm	WS8	70	A	0090 5 45	100
M5	50 mm	3.5 mm	WS8	70	A	0090 5 50	100
M5	55 mm	3.5 mm	WS8	70	B	0090 5 55	100
M5	60 mm	3.5 mm	WS8	70	B	0090 5 60	100
M5	65 mm	3.5 mm	WS8	70	B	0090 5 65	100
M5	70 mm	3.5 mm	WS8	70	B	0090 5 70	100
M5	80 mm	3.5 mm	WS8	70	B	0090 5 80	200
M6	30 mm	4 mm	WS10	70	A	0090 6 30	100
M6	35 mm	4 mm	WS10	70	A	0090 6 35	100
M6	40 mm	4 mm	WS10	70	A	0090 6 40	100
M6	45 mm	4 mm	WS10	70	A	0090 6 45	100
M6	50 mm	4 mm	WS10	70	A	0090 6 50	100
M6	55 mm	4 mm	WS10	70	A	0090 6 55	100
M6	60 mm	4 mm	WS10	70	A	0090 6 60	100
M6	65 mm	4 mm	WS10	70	B	0090 6 65	100
M6	70 mm	4 mm	WS10	70	B	0090 6 70	100
M6	75 mm	4 mm	WS10	70	B	0090 6 75	100
M6	80 mm	4 mm	WS10	70	B	0090 6 80	100
M6	85 mm	4 mm	WS10	70	B	0090 6 85	100
M6	90 mm	4 mm	WS10	70	B	0090 6 90	100
M6	100 mm	4 mm	WS10	70	B	0090 6 100	100
M6	110 mm	4 mm	WS10	70	B	0090 6 110	100
M6	120 mm	4 mm	WS10	70	B	0090 6 120	100
M6	130 mm	4 mm	WS10	70	B	0090 6 130	100
M6	140 mm	4 mm	WS10	70	B	0090 6 140	100
M6	150 mm	4 mm	WS10	70	B	0090 6 150	100
M6	160 mm	4 mm	WS10	70	B	0090 6 160	100